



VIDEO: https://www.youtube.com/watch?v=diJeRWn3Kmc&feature=emb_logo

New model!

PROFESSIONAL SERIES



Snowblower 140 ATV PRO

More power! Rammy Snowblower 140 ATV PRO is a 140cm wide snowblower from the PROFESSIONAL SERIES with bigger engine 420 cm³. The snowblower is suitable for both small gardens and long driveways. The Rammy ATV snowblower is lightweight and compact, so your ATV's or UTV's manoeuvrability and off-road performance will remain good. The snowblower also works in wet snow. The snowblower has bigger 420cm³ engine with electric start.

With the adjustable frame, this snowblower is suitable for all 4x4 ATV's and UTV's. If the [CENTRE INSTALLATION KIT](#) is on the bottom of your ATV, Rammy can be used with existing fasteners.

The snowblower can also be attached with a [LOCK HOOK 16-19 mm](#). (optional). Like Can-am, Arctic Cat, Polaris or Click&Go2.

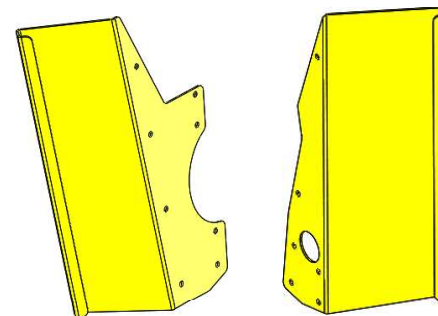


Technical data (Electric control, 420 cm³ engine)

Clearing width	1,4 m
Length	0,65 m
Weight	Snowblower 120 kg Accessory frame 25 kg
Height of loading chute	550 mm
Snow throwing distance	1-10 m
Method of moving/throwing snow	Single-stage double-threaded blower. The impeller uses the MDS (Minimum Distance Space) technique, which provides maximum throwing power. Throwing plate is rigid and flexible rubber that dodge the rocks and other hard objects.
Engine	Briggs&Stratton Snow Series 2100 winter engine 420 cm ³ . Torque 28,5 Nm.
Start	Easy pull start and electric start 230 V
Fuel consumption	1...2 L/h
Attachment to ATV	Mount brackets with holes on dozer blade on ATV, hole Ø10mm adjustable width of mount bracket 240-500mm (outer dimension) and the adjustable length is 750-1250mm.
Lift/decline	Winch of ATV
Remote control	Electrical, 3-function; shutdown ON-OFF, turning of discharge chute, control of angle of end of discharge chute.
Standard equipment	<ul style="list-style-type: none"> - Accessory frame - Adjustable skies - Remote control - Replaceable and adjustable scraper blade - Ice removal tool
Kapasiteetti	1100 cubic meters / hour = 5km/h - 17cm of snow at full width.
Warranty	2 years. Engine has own Briggs&Stratton warranty.



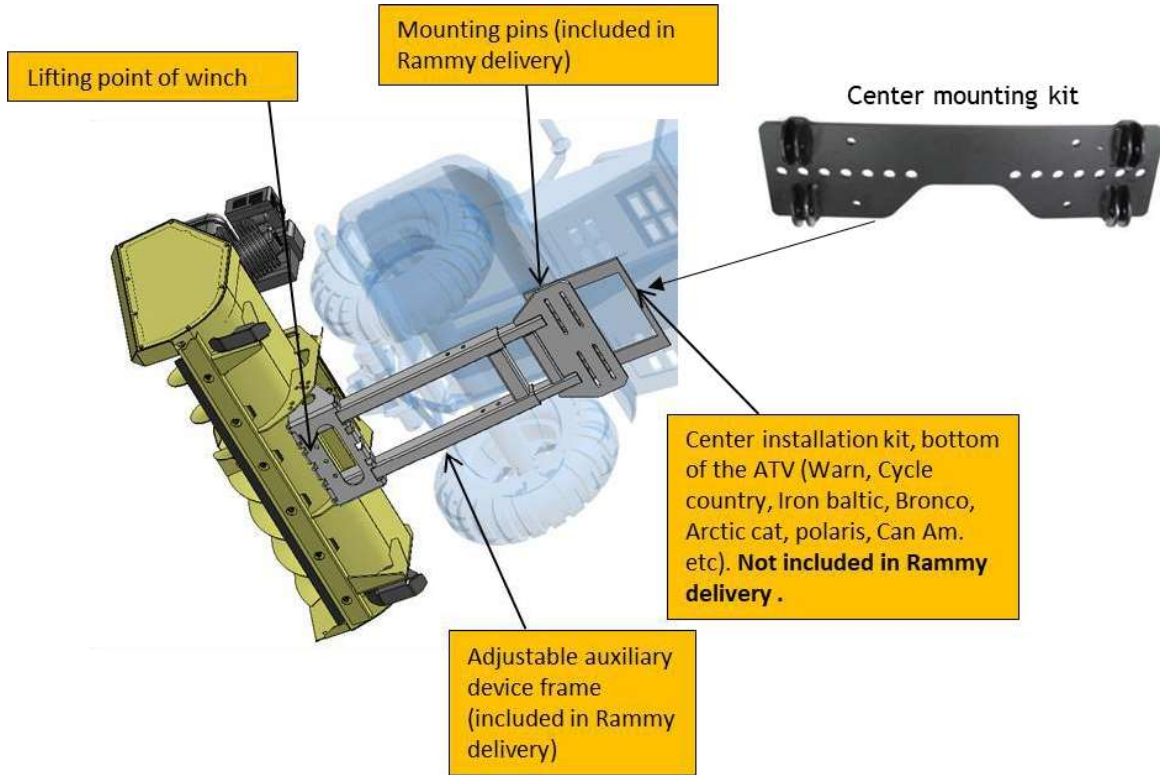
Snowblower 140 ATV (120 ATV + wings)



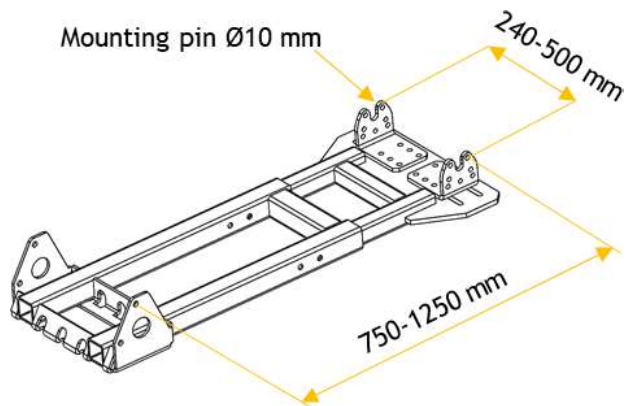
140 cm width, wings, pair.



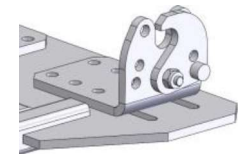
Snowblower and, Rotary mower and Flail mower mounting for ATV & UTV



The Rammy is positioned as close as possible to the ATV. The front suspension of the ATV will usually weigh down by 3 - 7 cm when the Rammy is lifted to the top position. Pressure is added to the front tyres, and the front suspension is positioned in a more rigid position, which results in a higher ground clearance. If necessary, a counterweight bag could be placed on the rear rack, for example.

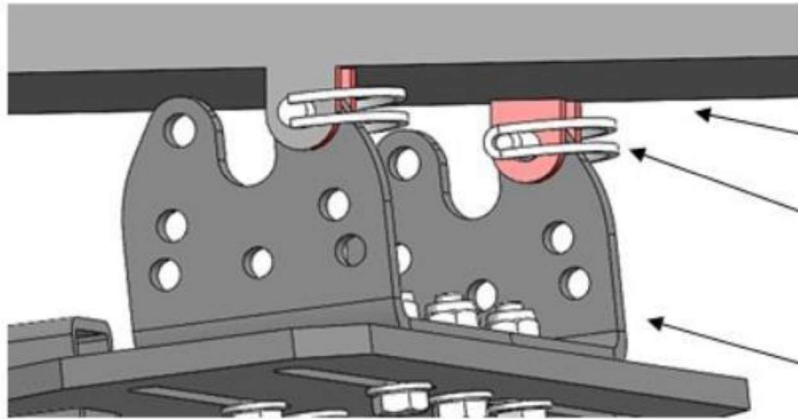


The possibility of Can-Am, Arctic Cat, Click&Go and Polaris mounting $\varnothing 16/19$ mm pin lock hook (optional).



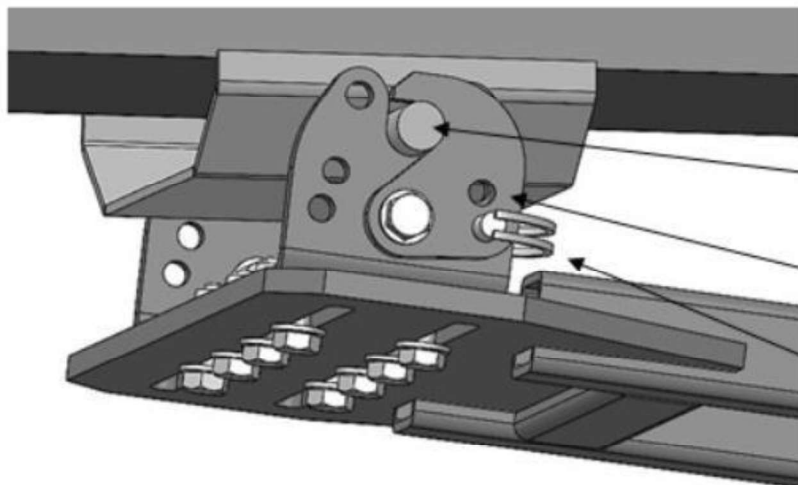


Snowblower, Rotary mower and Flail mower mounting for ATV & UTV



Standard

- Center mounting kit
ATV model specified, not included rammy packages
- Ø10 mm pin
included rammy packages
- Adjustable auxiliary device frame
included rammy packages



Lock hook (optional)

- Center mounting kit Ø16-19 mm fix pin
ATV model specified, not included rammy packages
- Ø16mm Lock hook: Ø10 mm pin position
- Ø19mm Lock hook: Ø10 mm pin position